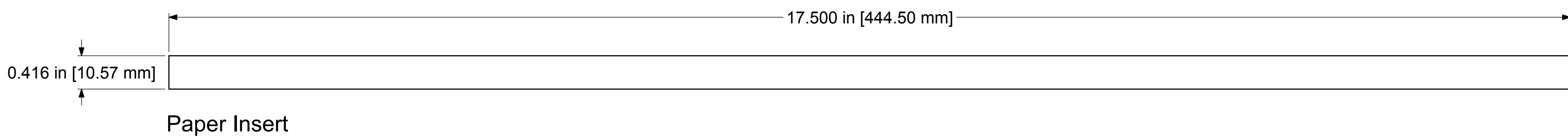
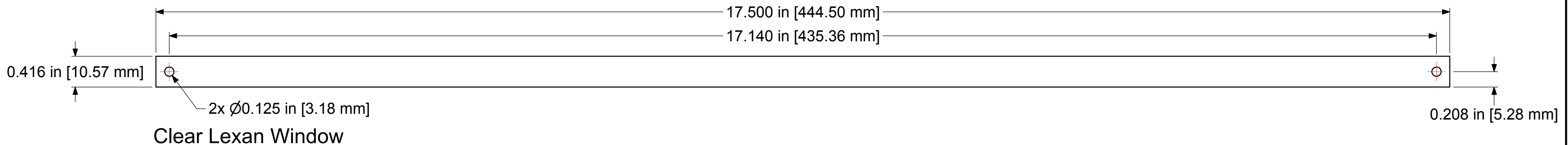
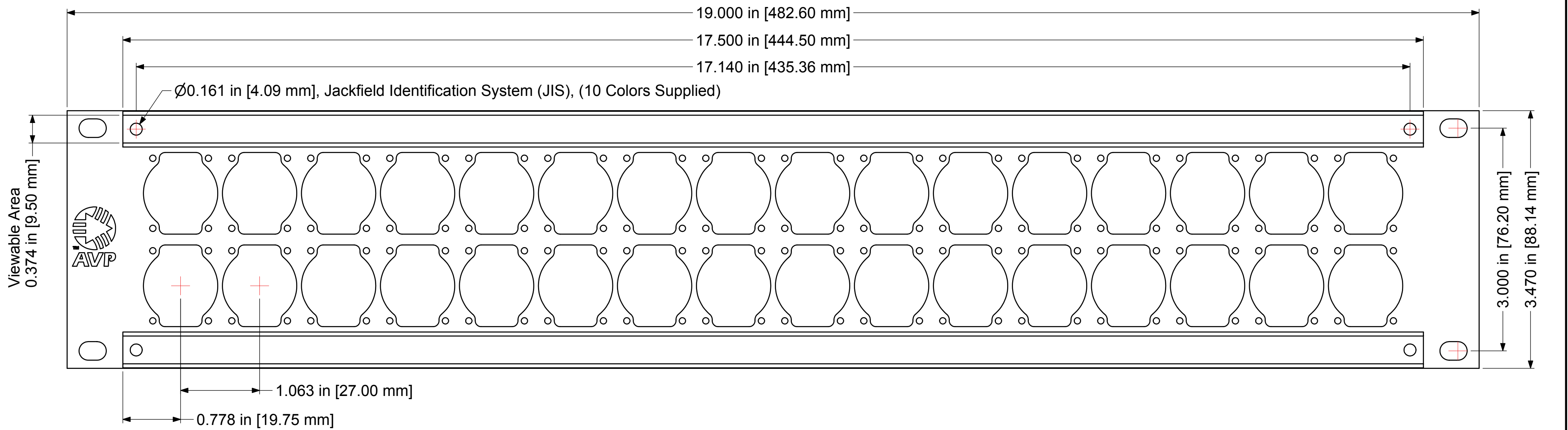


# Designation Layout Drawing

2RU Universal  
WK-U216E2



Designation P/N: 144954  
Paper Strip P/N: 144917  
Clear Lexan Window P/N: 144049



**2RU, 2x16 Position, Even-Spaced,  
Universal Bulkhead Panel**

File Name: 216E2-U-WK-DD			
Product Family: Universal Bulkhead			
Date Drawn: 20/03/2011	Page Number: 1 of 1	Revision: 1.1	Sheet Size: C
Drawn By: dbrazeau	Checked By:	Approved By:	
Copyright ©2010 AVP MFG & Supply Inc.   2288-B7 Dumfries Rd. RR2, Cambridge ON Canada N1R 5S3   Tel: 519-740-7966 • Fax: 519-740-0131 • www.jackfields.com • sales@jackfields.com			